

Fuse

Cubism design philosophy, combining acute angles, circles, triangles in a quadrangular form.

PRODUCT SHEET

Shape: Round Stand

Mounting: Freestanding

Material: Concrete; an organic and breathable material, derived from a number of materials that are variable in nature. This means there are natural colour variations and bug holes.

Metal; our blacksmiths hand make all metal products using galvanised steel. Powder coating is applied as a decorative finish and to assist with metal protection. Please consult the 'materials' section on our website for more information.

Dimensions: Leg footprint; 390mm L x 390mm W x 865mm H (15.3in L x 15.3in W x 34in H)

Weight: 17.5kg (38.6lbs) approx.

Capacity: 8lt (2.1gal)

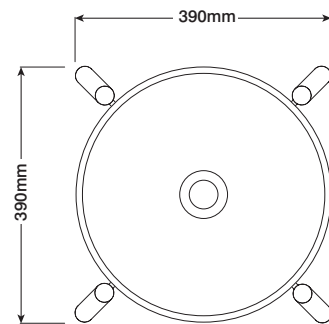
Waste and Overflow: Suits a standard 32mm - 40mm 2-piece waste. Does not have overflow.

Accessories: Waste trap and taps not included.

Colour and Finish: Concrete; Matte finish.
Metal; Powdercoated satin finish. Colour selection located on our website.



TOP



FRONT

