

Trough

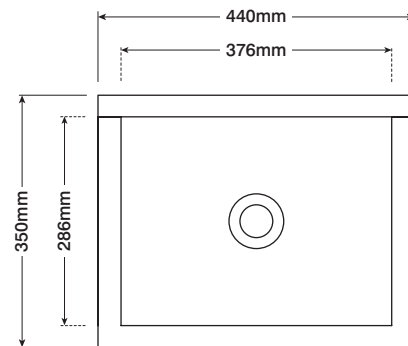
a classic reborn, the ideal of simplicity and presence.

PRODUCT SHEET

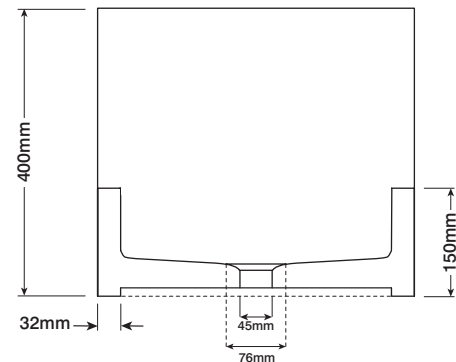
Shape:	Trough
Mounting:	Wallhung
Material:	Concrete; an organic and breathable material, derived from a number of variable materials. This means there are natural colour variations and bug holes. Please consult the 'materials' section on our website for more information.
Dimensions:	440mm L x 350mm W x 400mm H (17.3in L x 13.7in W x 15.7in H)
Weight:	25kg (55lbs) approx.
Capacity:	12lt (3.2gal)
Waste and Overflow:	Suits a standard 32mm - 40mm 2-piece waste. Does not have overflow.
Accessories:	Waste trap and taps not included.
Installation:	Wall bracket and fixing kit provided. Wall substrate must be secure enough to hold product weight i.e. timber studs, steel studs or masonry wall. Please consult instructions.
Colour and Finish:	Matte finish. Colour selection located on our website.



TOP



CROSS SECTION - FRONT



CROSS SECTION - SIDE

