

Ovale

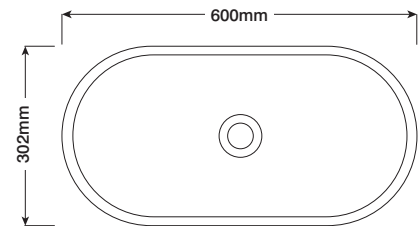
dominating a space with its soft yet strong volume.

PRODUCT SHEET

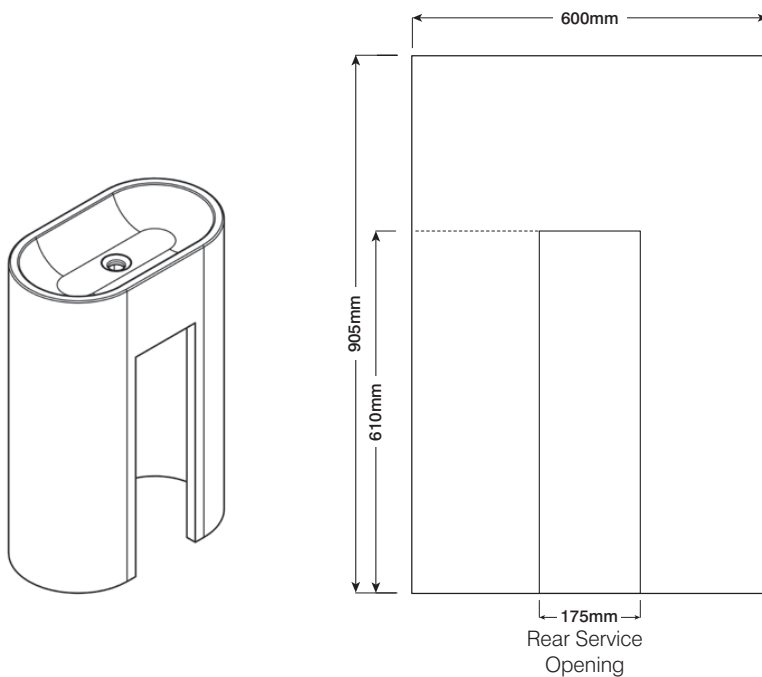
- Shape:** Oval Column
- Mounting:** Freestanding
- Material:** Concrete; an organic and breathable material, derived from a number of materials that are variable in nature. This means there are natural colour variations and bug holes. Please consult the 'materials' section on our website for more information.
- Dimensions:** 600mm L x 302mm W x 905mm H
(23.6in L x 11.9in W x 35.6in H)
- Weight:** 73kg (160lbs) approx.
- Capacity:** 11.5lt (3.2gal)
- Waste and Overflow:** Suits a standard 32mm - 40mm 2-piece waste. Does not have overflow.
- Accessories:** Waste trap and taps not included.
- Colour and Finish:** Matte finish. Colour selection located on our website.



TOP



BACK



CROSS SECTION

