

# Noah

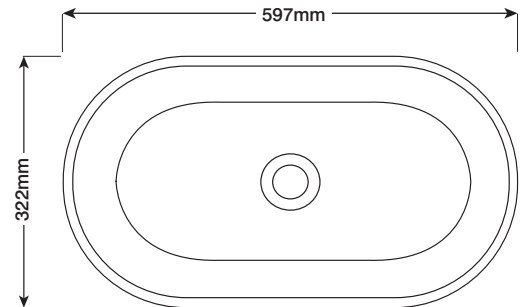
as sculptural as it is functional.

## PRODUCT SHEET

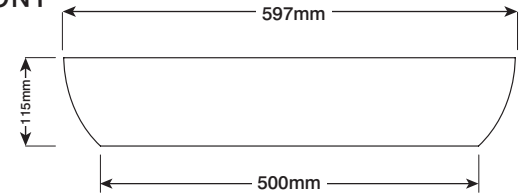
- Shape:** Capsule / Oval
- Mounting:** Surface mount
- Material:** Concrete; an organic and breathable material, derived from a number of materials that are variable in nature. This means there are natural colour variations and bug holes. Please consult the 'materials' section on our website for more information.
- Dimensions:** 597mm L x 322mm W x 115mm H  
(23.5in L x 12.7in W x 4.5in H)
- Weight:** 10kg (22lbs) approx.
- Capacity:** 11.5lt (2.9gal)
- Waste and Overflow:** Suits a standard 32mm - 40mm 2-piece waste. Does not have overflow.
- Accessories:** Waste trap and taps not included.
- Colour and Finish:** Matte finish. Colour selection located on our website.



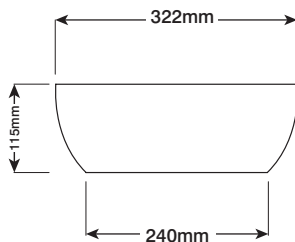
TOP



FRONT



CROSS SECTION - SIDE



CROSS SECTION - FRONT

